



**TRANE** Supply

*Hudson - Tampa - Clearwater  
Sarasota - Fort Myers - Naples*

# Residential Split System Quick Select Guide

Prices effective 3/1/2021

Subject to change without notice

## Table Of Contents

	<b>Page</b>
<b>AHRI Matchups</b>	
Straight Cool Split System AHRI Matchups	2
Heat Pump Split System AHRI Matchups	5
Compact / Over-the-Water AHRI Matchups	8
<b>Air Handler Accessories</b>	
Drain Pan / Filtration / AHU Stand / Knockdown Plenum Matchups	9
<b>Gas Furnace Split Systems</b>	
Furnace Selection Guide and AHRI Matchups	10
<b>Package Units</b>	
Over-Under Heat Pumps	12
Straight Cool Convertible Package Units	12
Heat Pump Cool Convertible Package Units	13
Package Unit Curbs and Accessories	13



Hudson - Tampa - Clearwater  
Sarasota - Fort Myers - Naples

# Straight Cool

## 1.5 Ton Straight Cool - Single Phase

Condenser	Price	H"	W"	D"	Pad	Suc.	Liq.	MOCP	Air Handler				Motor	Heater	Amps		Price	ARIREF	SEER	Sys. Price
									Price	H"	W"	D"			208/240	Price				
4TTR4018L1000A	\$ 1,079	29	29	26	H3030-4 H3232-4	3/4	3/8	20	TEM4A0B18S21SB	\$ 634	45.02	18.5	21.13	PSC	BAYHTR1505LUGB	17.3 / 20.0	\$ 73	7481883	15.00	\$ 1,785
									TAM4A0A18S11ED	\$ 998	49.9	17.5	21.8	PSC	BAYEAAC05LG1AB	17.3 / 20.0	\$ 80	7481830	14.50	\$ 2,157
									GAM5B0A18M11EA	\$ 1,021	49.9	17.5	21.8	X13	BAYEAAC05LG1AB	17.3 / 20.0	\$ 80	7481873	15.50	\$ 2,180
									TEM6A0B24H21SB	\$ 955	46.75	18.5	21.13	VAR	BAYHTR1505LUGB	17.3 / 20.0	\$ 73	7567539	16.00	\$ 2,107
4TTR6018J1000A	\$ 1,103	29	33	30	H3636-4	3/4	3/8	20	GAM5B0A18M11EA	\$ 1,021	49.9	17.5	21.8	X13	BAYEAAC05LG1AB	17.3 / 20.0	\$ 80	8625304	17.00	\$ 2,205
									TEM6A0B24H21SB	\$ 955	46.75	18.5	21.13	VAR	BAYHTR1505LUGB	17.3 / 20.0	\$ 73	8625308	17.00	\$ 2,131

## 2.0 Ton Straight Cool - Single Phase

4TTR4024L1000A	\$ 1,170	29	29	26	H3030-4 H3232-4	3/4	3/8	25	TEM4A0B24S21SB	\$ 667	45.02	18.5	21.13	PSC	BAYHTR1505LUGB	17.3 / 20.0	\$ 73	7481939	15.00	\$ 1,910
									TAM4A0A24S21ED	\$ 1,071	49.9	17.5	21.8	PSC	BAYEAAC05LG1AB	17.3 / 20.0	\$ 80	7481888	14.50	\$ 2,321
									GAM5B0A24M21EA	\$ 1,106	49.9	17.5	21.8	X13	BAYEAAC05LG1AB	17.3 / 20.0	\$ 80	7481932	15.50	\$ 2,356
									TEM6A0B24H21SB	\$ 955	46.75	18.5	21.13	VAR	BAYHTR1505LUGB	17.3 / 20.0	\$ 73	7792030	15.50	\$ 2,198
4TTR4025L1000A	\$ 1,286	29	29	26	H3636-4	3/4	3/8	25	GAM5B0B30M21EA	\$ 1,192	51.5	21.3	21.8	X13	BAYEAAC05LG1AB	17.3 / 20.0	\$ 80	7548341	16.00	\$ 2,558
									TEM6A0B24H21SB	\$ 955	46.75	18.5	21.13	VAR	BAYHTR1505LUGB	17.3 / 20.0	\$ 73	7567540	16.00	\$ 2,314
4TTR6024J1000B	\$ 1,300	29	33	30	H3636-4	3/4	3/8	25	GAM5B0A24M21EA	\$ 1,106	49.9	17.5	21.8	X13	BAYEAAC05LG1AB	17.3 / 20.0	\$ 80	8626091	16.00	\$ 2,486
									TEM6A0B24H21SB	\$ 955	46.75	18.5	21.13	VAR	BAYHTR1505LUGB	17.3 / 20.0	\$ 73	8626099	16.50	\$ 2,328
									TEM6A0B30H21SB	\$ 1,038	46.75	18.5	21.13	VAR	BAYHTR1505LUGB	17.3 / 20.0	\$ 73	8626101	17.00	\$ 2,411

## 2.5 Ton Straight Cool - Single Phase

4TTR4030L1000A	\$ 1,261	29	33	30	H3636-4	3/4	3/8	25	TEM4A0B30S31SB	\$ 700	45.02	18.5	21.13	PSC	BAYHTR1508LUGB	27.7 / 32.0	\$ 85	7482002	14.50	\$ 2,046
									TAM4A0A30S21ED	\$ 1,142	49.9	17.5	21.8	PSC	BAYEAAC08LG1AB	27.7 / 32.0	\$ 92	7481942	14.50	\$ 2,495
									GAM5B0B30M21EA	\$ 1,192	51.5	21.3	21.8	X13	BAYEAAC08LG1AB	27.7 / 32.0	\$ 92	7481993	15.50	\$ 2,545
									TEM6A0B30H21SB	\$ 1,038	46.75	18.5	21.13	VAR	BAYHTR1508LUGB	27.7 / 32.0	\$ 85	7792032	15.50	\$ 2,384
4TTR4031L1000A	\$ 1,317	29	33	30	H3636-4	3/4	3/8	25	GAM5B0B36M31EA	\$ 1,277	55.7	21.3	21.8	X13	BAYEAAC08LG1AB	27.7 / 32.0	\$ 92	7548543	16.00	\$ 2,687
									TEM6A0C36H31SB	\$ 1,120	51.27	23.5	21.13	VAR	BAYHTR1508LUGB	27.7 / 32.0	\$ 85	7567544	16.00	\$ 2,522
4TTR6030J1000A	\$ 1,390	37	33	30	H3636-4	3/4	3/8	25	GAM5B0B30M21EA	\$ 1,192	51.5	21.3	21.8	X13	BAYEAAC08LG1AB	27.7 / 32.0	\$ 92	8626663	16.50	\$ 2,674
									TEM6A0B30H21SB	\$ 1,038	46.75	18.5	21.13	VAR	BAYHTR1508LUGB	27.7 / 32.0	\$ 85	8626669	16.50	\$ 2,513
									TEM6A0C36H31SB	\$ 1,120	51.27	23.5	21.13	VAR	BAYHTR1508LUGB	27.7 / 32.0	\$ 85	8626671	17.00	\$ 2,595

## 3.0 Ton Straight Cool - Single Phase

4TTR4036L1000A	\$ 1,352	33	33	30	H3636-4	3/4	3/8	30	TEM4A0C37S31SB	\$ 791	51.27	23.5	21.13	PSC	BAYHTR1508LUGB	27.7 / 32.0	\$ 85	201763661	14.50	\$ 2,228
									TAM4A0B42S31ED	\$ 1,289	55.7	21.3	21.8	PSC	BAYEAAC08LG1AB	27.7 / 32.0	\$ 92	7482005	14.50	\$ 2,733
									GAM5B0B36M31EA	\$ 1,277	55.7	21.3	21.8	X13	BAYEAAC08LG1AB	27.7 / 32.0	\$ 92	7482041	15.50	\$ 2,722
									TEM6A0C36H31SB	\$ 1,120	51.27	23.5	21.13	VAR	BAYHTR1508LUGB	27.7 / 32.0	\$ 85	7791584	15.50	\$ 2,557
4TTR4037L1000A	\$ 1,408	33	33	30	H3636-4	3/4	3/8	30	GAM5B0C42M31EA	\$ 1,422	56.9	23.5	21.8	X13	BAYEAAC08LG1AB	27.7 / 32.0	\$ 92	7548776	16.00	\$ 2,922
									TEM6A0C42H41SB	\$ 1,260	51.27	23.5	21.13	VAR	BAYHTR1508LUGB	27.7 / 32.0	\$ 85	7567547	16.00	\$ 2,753
4TTR6036J1000A	\$ 1,510	37	37	34	H3642-4 H4040-4	7/8	3/8	30	GAM5B0B36M31EA	\$ 1,277	55.7	21.3	21.8	X13	BAYEAAC08LG1AB	27.7 / 32.0	\$ 92	8627721	16.00	\$ 2,880
									GAM5B0C42M31EA	\$ 1,422	56.9	23.5	21.8	X13	BAYEAAC08LG1AB	27.7 / 32.0	\$ 92	8627723	17.00	\$ 3,025
									TEM6A0C36H31SB	\$ 1,120	51.27	23.5	21.13	VAR	BAYHTR1508LUGB	27.7 / 32.0	\$ 85	8627727	16.50	\$ 2,716
									TEM6A0C42H41SB	\$ 1,260	51.27	23.5	21.13	VAR	BAYHTR1508LUGB	27.7 / 32.0	\$ 85	8627729	17.00	\$ 2,856

### 3.5 Ton Straight Cool - Single Phase

Condenser	Price	H"	W"	D"	Pad	Suc.	Liq.	MOCP	Air Handler				Motor	Heater	Amps		Price	ARIREF	SEER	Sys. Price
									Price	H"	W"	D"			208/240	Price				
4TTR4042L1000A	\$ 1,472	29	37	34	H3642-4	7/8	3/8	35	TEM4AOC42S41SB	\$ 847	51.27	23.5	21.13	X13	BAYHTR1508LUGB	27.7 / 32.0	\$ 85	7482080	15.00	\$ 2,405
									TAM4A0B42S31ED	\$ 1,289	55.7	21.3	21.8	PSC	BAYEAC08L1AB	27.7 / 32.0	\$ 92	7482055	14.00	\$ 2,853
									GAM5B0C42M31EA	\$ 1,422	56.9	23.5	21.8	X13	BAYEAC08L1AB	27.7 / 32.0	\$ 92	7482077	15.00	\$ 2,986
									TEM6AOC42H41SB	\$ 1,260	51.27	23.5	21.13	VAR	BAYHTR1508LUGB	27.7 / 32.0	\$ 85	7792034	15.00	\$ 2,817
4TTR4043L1000A	\$ 1,528	29	37	34	H4040-4	7/8	3/8	35	TEM6AOD48H41SB	\$ 1,401	53.87	26.5	21.13	VAR	BAYHTR1508LUGB	27.7 / 32.0	\$ 85	7567550	16.00	\$ 3,015
4TTR6042J1000A	\$ 1,664	45	37	34	H4040-4	7/8	3/8	35	GAM5B0C42M31EA	\$ 1,422	56.9	23.5	21.8	X13	BAYEAC08L1AB	27.7 / 32.0	\$ 92	8628152	16.00	\$ 3,178
									TEM6AOC42H41SB	\$ 1,260	51.27	23.5	21.13	VAR	BAYHTR1508LUGB	27.7 / 32.0	\$ 85	8628154	16.00	\$ 3,009
									TEM6AOC48H41SB	\$ 1,518	55.75	23.5	21.13	VAR	BAYHTR1508LUGB	27.7 / 32.0	\$ 85	8936364	17.00	\$ 3,267

### 4.0 Ton Straight Cool - Single Phase

4TTR4048L1000A	\$ 1,594	29	37	34	H3642-4	7/8	3/8	40	TEM4AOC48S41SB	\$ 960	51.27	23.5	21.13	X13	BAYHTR1510LUGB	34.6 / 40.0	\$ 92	7482148	14.00	\$ 2,646
									TAM4AOC60S51ED	\$ 1,507	61.7	23.5	21.8	X13	BAYEAC10L1BA	34.6 / 40.0	\$ 98	7482086	15.00	\$ 3,198
									GAM5B0C48M41EA	\$ 1,567	61.7	23.5	21.8	X13	BAYEAC10L1BA	34.6 / 40.0	\$ 98	7482143	14.50	\$ 3,258
									TEM6AOD48H41SB	\$ 1,401	53.87	26.5	21.13	VAR	BAYHTR1510LUGB	34.6 / 40.0	\$ 92	7567551	15.00	\$ 3,087
									TEM6AOC48H41SB	\$ 1,518	55.75	23.5	21.13	VAR	BAYHTR1510LUGB	34.6 / 40.0	\$ 92	8858457	15.00	\$ 3,204
4TTR6048J1000A	\$ 1,815	45	37	34	H4040-4	7/8	3/8	40	GAM5B0C48M41EA	\$ 1,567	61.7	23.5	21.8	X13	BAYEAC10L1BA	34.6 / 40.0	\$ 98	8631421	15.00	\$ 3,480
									TEM6AOD48H41SB	\$ 1,401	53.87	26.5	21.13	VAR	BAYHTR1510LUGB	34.6 / 40.0	\$ 92	8631424	16.00	\$ 3,309
4TTR6049J1000A	\$ 1,956	45	37	34	H4040-4	7/8	3/8	40	TEM4AOC48S41SB	\$ 960	51.27	23.5	21.13	X13	BAYHTR1510LUGB	34.6 / 40.0	\$ 92	8676081	16.00	\$ 3,008
									GAM5B0C48M41EA	\$ 1,567	61.7	23.5	21.8	X13	BAYEAC10L1BA	34.6 / 40.0	\$ 98	8630133	15.50	\$ 3,621
									TEM6AOD48H41SB	\$ 1,401	53.87	26.5	21.13	VAR	BAYHTR1510LUGB	34.6 / 40.0	\$ 92	8630139	16.50	\$ 3,449
									TEM6AOC48H41SB	\$ 1,518	55.75	23.5	21.13	VAR	BAYHTR1510LUGB	34.6 / 40.0	\$ 92	8936367	17.00	\$ 3,566

### 5.0 Ton Straight Cool - Single Phase

4TTR4060L1000B	\$ 1,836	37	37	34	H3642-4	7/8	3/8	50	TEM4AOC60S51SB	\$ 1,185	51.27	23.5	21.13	X13	BAYHTR1510LUGB	34.6 / 40.0	\$ 92	7482178	14.00	\$ 3,113
									TAM4AOC60S51ED	\$ 1,507	61.7	23.5	21.8	X13	BAYEAC10L1BA	34.6 / 40.0	\$ 98	7482150	14.50	\$ 3,440
									GAM5B0C60M51EA	\$ 1,857	61.7	23.5	21.8	X13	BAYEAC10L1BA	34.6 / 40.0	\$ 98	7482176	14.00	\$ 3,791
									TEM6AOD60H51SB	\$ 1,683	53.87	26.5	21.13	VAR	BAYHTR1510LUGB	34.6 / 40.0	\$ 92	7791588	14.50	\$ 3,611
									TEM6AOC60H51SB	\$ 1,799	55.75	23.5	21.13	VAR	BAYHTR1510LUGB	34.6 / 40.0	\$ 92	8858421	14.50	\$ 3,727
4TTR6060J1000A	\$ 2,117	45	37	34	H4040-4	1-1/8	3/8	50	TEM4AOC60S51SB	\$ 1,185	51.27	23.5	21.13	X13	BAYHTR1510LUGB	34.6 / 40.0	\$ 92	8630746	14.75	\$ 3,395
									TAM4AOC60S51ED	\$ 1,507	61.7	23.5	21.8	X13	BAYEAC10L1BA	34.6 / 40.0	\$ 98	8630337	15.00	\$ 3,722
									GAM5B0C60M51EA	\$ 1,857	61.7	23.5	21.8	X13	BAYEAC10L1BA	34.6 / 40.0	\$ 98	8630744	14.50	\$ 4,072
									TEM6AOD60H51SB	\$ 1,683	53.87	26.5	21.13	VAR	BAYHTR1510LUGB	34.6 / 40.0	\$ 92	8630748	15.00	\$ 3,892
4TTR6061C1000A	\$ 2,328	45	37	34	H4040-4	1-1/8	3/8	50	TEM6AOC60H51SB	\$ 1,799	55.75	23.5	21.13	VAR	BAYHTR1510LUGB	34.6 / 40.0	\$ 92	8858397	15.25	\$ 4,009
									TEM4AOC60S51SB	\$ 1,185	51.27	23.5	21.13	X13	BAYHTR1510LUGB	34.6 / 40.0	\$ 92	7944313	15.00	\$ 3,606
									GAM5B0C60M51EA	\$ 1,857	61.7	23.5	21.8	X13	BAYEAC10L1BA	34.6 / 40.0	\$ 98	7426134	15.00	\$ 4,284
4TTR6061C1000A	\$ 2,328	45	37	34	H4040-4	1-1/8	3/8	50	TEM6AOD60H51SB	\$ 1,683	53.87	26.5	21.13	VAR	BAYHTR1510LUGB	34.6 / 40.0	\$ 92	7795584	15.50	\$ 4,103
									TEM6AOC60H51SB	\$ 1,799	55.75	23.5	21.13	VAR	BAYHTR1510LUGB	34.6 / 40.0	\$ 92	8858422	16.00	\$ 4,220

### 3.0 Ton Straight Cool - 208-230v/3-Phase

Condenser	Price	H"	W"	D"	Pad	Suc.	Liq.	MOCP	Air Handler	Price	H"	W"	D"	Motor	Heater	Amps		Price	ARIREF	SEER	Sys. Price
																208/240					
4TTA4036A3000A	\$ 1,380	33	33	30	H3636-4	3/4	3/8	20	TEM4AOC37S31SB	\$ 791	51.27	23.5	21.13	PSC	BAYHTR1508LUGB	27.7 / 32.0	\$ 85	201763861	14.00	\$ 2,256	
									GAM5B0B36M31EA	\$ 1,277	55.7	21.3	21.8	X13	BAYEAAC08LG1AB	27.7 / 32.0	\$ 92	10070356	15.50	\$ 2,750	
									TEM6AOC36H31SB	\$ 1,120	51.27	23.5	21.13	VAR	BAYHTR1508LUGB	27.7 / 32.0	\$ 85	9129101	16.00	\$ 2,585	
4TTA7036A3000A	\$ 2,765	45	37	34	H4040-4	3/4	3/8	25	TEM6A0B30H21SB	\$ 1,038	46.75	18.5	21.13	VAR	BAYHTR1508LUGB	27.7 / 32.0	\$ 85	8995647	17.00	\$ 3,888	
									TEM6AOC36H31SB	\$ 1,120	51.27	23.5	21.13	VAR	BAYHTR1508LUGB	27.7 / 32.0	\$ 85	8995648	16.00	\$ 3,970	

### 460v/3-Phase

4TTA4036A4000A	\$ 1,409	33	33	30	H3636-4	3/4	3/8	15	TEM4AOC37S31SB	\$ 791	51.27	23.5	21.13	PSC	BAYHTR1508LUGB	27.7 / 32.0	\$ 85	201763863	14.50	\$ 2,285
									GAM5B0B36M31EA	\$ 1,277	55.7	21.3	21.8	X13	BAYEAAC08LG1AB	27.7 / 32.0	\$ 92	10070369	16.00	\$ 2,779
									TEM6AOC36H31SB	\$ 1,120	51.27	23.5	21.13	VAR	BAYHTR1508LUGB	27.7 / 32.0	\$ 85	9129404	16.00	\$ 2,614
4TTA7036A4000A	\$ 2,798	45	37	34	H4040-4	3/4	3/8	15	TEM6AOC36H31SB	\$ 1,120	51.27	23.5	21.13	VAR	BAYHTR1508LUGB	27.7 / 32.0	\$ 85	9006661	17.00	\$ 4,003

### 3.5 Ton Straight Cool - 208-230v/3-Phase

4TTA4042A3000A	\$ 1,494	29	37	34	H3642-4 H4040-4	3/4	3/8	25	TEM4AOC42S41SB	\$ 847	51.27	23.5	21.13	X13	BAYHTR1508LUGB	27.7 / 32.0	\$ 85	9129550	15.00	\$ 2,427
									GAM5B0C42M31EA	\$ 1,422	56.9	23.5	21.8	X13	BAYEAAC08LG1AB	27.7 / 32.0	\$ 92	10070379	15.00	\$ 3,008
									TEM6AOC42H41SB	\$ 1,260	51.27	23.5	21.13	VAR	BAYHTR1508LUGB	27.7 / 32.0	\$ 85	9129551	15.00	\$ 2,839

### 460v/3-Phase

4TTA4042A4000A	\$ 1,523	33	37	34	H3642-4 H4040-4	3/4	3/8	15	TEM4AOC42S41SB	\$ 847	51.27	23.5	21.13	X13	BAYHTR1508LUGB	27.7 / 32.0	\$ 85	9129696	15.00	\$ 2,456
									GAM5B0C42M31EA	\$ 1,422	56.9	23.5	21.8	X13	BAYEAAC08LG1AB	27.7 / 32.0	\$ 92	10070389	15.00	\$ 3,037
									TEM6AOC42H41SB	\$ 1,260	51.27	23.5	21.13	VAR	BAYHTR1508LUGB	27.7 / 32.0	\$ 85	9129697	15.00	\$ 2,868

### 4.0 Ton Straight Cool - 208-230v/3-Phase

4TTA4048A3000A	\$ 1,607	29	37	34	H3642-4 H4040-4	7/8	3/8	30	TEM4AOC48S41SB	\$ 960	51.27	23.5	21.13	X13	BAYHTR1510LUGB	34.6 / 40.0	\$ 92	9129944	14.50	\$ 2,659
									GAM5B0C48M41EA	\$ 1,567	61.7	23.5	21.8	X13	BAYEAAC10LG1BA	34.6 / 40.0	\$ 98	10070398	14.50	\$ 3,272
									TEM6AOC48H41SB	\$ 1,518	55.75	23.5	21.13	VAR	BAYHTR1510LUGB	34.6 / 40.0	\$ 92	9131851	15.00	\$ 3,217
4TTA7048A3000A	\$ 3,188	45	37	34	H4040-4	7/8	3/8	30	TEM6A0D48H41SB	\$ 1,401	53.87	26.5	21.13	VAR	BAYHTR1510LUGB	34.6 / 40.0	\$ 92	9006662	17.00	\$ 4,682

### 460v/3-Phase

4TTA4048A4000A	\$ 1,636	33	37	34	H3642-4 H4040-4	7/8	3/8	15	TEM4AOC48S41SB	\$ 960	51.27	23.5	21.13	X13	BAYHTR1510LUGB	34.6 / 40.0	\$ 92	9130183	15.00	\$ 2,688
									GAM5B0C48M41EA	\$ 1,567	61.7	23.5	21.8	X13	BAYEAAC10LG1BA	34.6 / 40.0	\$ 98	10070407	14.75	\$ 3,300
									TEM6AOC48H41SB	\$ 1,518	55.75	23.5	21.13	VAR	BAYHTR1510LUGB	34.6 / 40.0	\$ 92	9131852	15.00	\$ 3,246
4TTA7048A4000A	\$ 3,221	45	37	34	H4040-4	7/8	3/8	15	TEM6A0D48H41SB	\$ 1,401	53.87	26.5	21.13	VAR	BAYHTR1510LUGB	34.6 / 40.0	\$ 92	9006663	17.00	\$ 4,715

### 5.0 Ton Straight Cool - 208-230v/3-Phase

4TTA4060A3000A	\$ 1,859	37	37	34	H3642-4 H4040-4	7/8	3/8	35	TEM4AOC60S51SB	\$ 1,185	51.27	23.5	21.13	X13	BAYHTR1510LUGB	34.6 / 40.0	\$ 92	9130253	14.00	\$ 3,136
									GAM5B0C60M51EA	\$ 1,857	61.7	23.5	21.8	X13	BAYEAAC10LG1BA	34.6 / 40.0	\$ 98	10070412	14.00	\$ 3,814
									TEM6AOC60H51SB	\$ 1,799	55.75	23.5	21.13	VAR	BAYHTR1510LUGB	34.6 / 40.0	\$ 92	9131853	14.50	\$ 3,750
4TTA7060A3000A	\$ 3,411	45	37	34	H4040-4	1-1/8	3/8	35	TEM6AOC60H51SB	\$ 1,799	55.75	23.5	21.13	VAR	BAYHTR1510LUGB	34.6 / 40.0	\$ 92	10579225	17.00	\$ 5,303

### 460v/3-Phase

4TTA4060A4000A	\$ 1,906	41	37	34	H3642-4 H4040-4	7/8	3/8	15	TEM4AOC60S51SB	\$ 1,185	51.27	23.5	21.13	X13	BAYHTR1510LUGB	34.6 / 40.0	\$ 92	9130323	14.00	\$ 3,183
									GAM5B0C60M51EA	\$ 1,857	61.7	23.5	21.8	X13	BAYEAAC10LG1BA	34.6 / 40.0	\$ 98	10070416	14.00	\$ 3,861
									TEM6AOC60H51SB	\$ 1,799	55.75	23.5	21.13	VAR	BAYHTR1510LUGB	34.6 / 40.0	\$ 92	9131854	14.50	\$ 3,797
4TTA7060A4000A	\$ 3,444	45	37	34	H4040-4	1-1/8	3/8	15	TEM6AOC60H51SB	\$ 1,799	55.75	23.5	21.13	VAR	BAYHTR1510LUGB	34.6 / 40.0	\$ 92	10579227	17.00	\$ 5,336

Three-Phase Heaters are Available for 208-240/3/60 Input Power to the Air Handler

# Heat Pumps

## 1.5 Ton Heat Pump - Single Phase

Condenser	Price	H"	W"	D"	Pad	Suc.	Liq.	MOCP	Air Handler	Price	H"	W"	D"	Motor	Heater	Amps		Price	ARIREF	SEER	Sys. Price
																208/240					
4TWR4018G1000A	\$ 1,397	29	29	26	H3030-4 H3232-4	3/4	3/8	20	TEM4A0B18S21SB	\$ 634	45.02	18.5	21.13	PSC	BAYHTR1505LUGB	17.3 / 20.0	\$ 73	8908426	14.00	\$ 2,104	
									TAM4A0A18S11ED	\$ 998	49.9	17.5	21.8	PSC	BAYEAAC05LG1AB	17.3 / 20.0	\$ 80	8931562	14.00	\$ 2,476	
									GAM5B0A18M11EA	\$ 1,021	49.9	17.5	21.8	X13	BAYEAAC05LG1AB	17.3 / 20.0	\$ 80	8931713	14.50	\$ 2,499	
4TWR5019H1000A	\$ 1,736	33	33	30	H3636-4	3/4	3/8	20	TEM4A0B18S21SB	\$ 634	45.02	18.5	21.13	PSC	BAYHTR1505LUGB	17.3 / 20.0	\$ 73	9010671	15.00	\$ 2,442	
									TAM4A0A18S11ED	\$ 998	49.9	17.5	21.8	PSC	BAYEAAC05LG1AB	17.3 / 20.0	\$ 80	9010597	15.00	\$ 2,814	
									GAM5B0A18M11EA	\$ 1,021	49.9	17.5	21.8	X13	BAYEAAC05LG1AB	17.3 / 20.0	\$ 80	9010668	15.00	\$ 2,837	
									TEM6A0B24H21SB	\$ 955	46.75	18.5	21.13	VAR	BAYHTR1505LUGB	17.3 / 20.0	\$ 73	9010588	15.00	\$ 2,763	
4TWR6018H1000A	\$ 1,974	33	33	30	H3636-4	3/4	3/8	20	TEM4A0B18S21SB	\$ 634	45.02	18.5	21.13	PSC	BAYHTR1505LUGB	17.3 / 20.0	\$ 73	8939411	15.00	\$ 2,680	
									GAM5B0A18M11EA	\$ 1,021	49.9	17.5	21.8	X13	BAYEAAC05LG1AB	17.3 / 20.0	\$ 80	8939409	16.00	\$ 3,075	
									TEM6A0B24H21SB	\$ 955	46.75	18.5	21.13	VAR	BAYHTR1505LUGB	17.3 / 20.0	\$ 73	8937191	16.00	\$ 3,002	

## 2.0 Ton Heat Pump - Single Phase

4TWR4024G1000A	\$ 1,479	29	33	30	H3636-4	3/4	3/8	25	TEM4A0B24S21SB	\$ 667	45.02	18.5	21.13	PSC	BAYHTR1505LUGB	17.3 / 20.0	\$ 73	8908427	14.00	\$ 2,219
									TAM4A0A24S21ED	\$ 1,071	49.9	17.5	21.8	PSC	BAYEAAC05LG1AB	17.3 / 20.0	\$ 80	8931715	14.00	\$ 2,630
									GAM5B0A24M21EA	\$ 1,106	49.9	17.5	21.8	X13	BAYEAAC05LG1AB	17.3 / 20.0	\$ 80	8932004	14.50	\$ 2,665
									TEM6A0B24H21SB	\$ 955	46.75	18.5	21.13	VAR	BAYHTR1505LUGB	17.3 / 20.0	\$ 73	8938849	14.50	\$ 2,507
4TWR5024H1000A	\$ 1,752	33	33	30	H3636-4	3/4	3/8	25	TEM4A0B24S21SB	\$ 667	45.02	18.5	21.13	PSC	BAYHTR1505LUGB	17.3 / 20.0	\$ 73	9922537	15.00	\$ 2,492
									GAM5B0A24M21EA	\$ 1,106	49.9	17.5	21.8	X13	BAYEAAC05LG1AB	17.3 / 20.0	\$ 80	9922531	15.00	\$ 2,938
									TEM6A0B24H21SB	\$ 955	46.75	18.5	21.13	VAR	BAYHTR1505LUGB	17.3 / 20.0	\$ 73	9922058	15.00	\$ 2,780
4TWR6024H1000A	\$ 2,171	33	33	30	H3636-4	3/4	3/8	25	TEM4A0B24S21SB	\$ 667	45.02	18.5	21.13	PSC	BAYHTR1505LUGB	17.3 / 20.0	\$ 73	7994949	15.00	\$ 2,910
									GAM5B0B30M21EA	\$ 1,192	51.5	21.3	21.8	X13	BAYEAAC05LG1AB	17.3 / 20.0	\$ 80	8939409	16.00	\$ 3,442
									TEM6A0B24H21SB	\$ 955	46.75	18.5	21.13	VAR	BAYHTR1505LUGB	17.3 / 20.0	\$ 73	7562095	16.00	\$ 3,198

## 2.5 Ton Heat Pump - Single Phase

4TWR4030G1000A	\$ 1,561	29	37	34	H3642-4 H4040-4	3/4	3/8	25	TEM4A0B30S31SB	\$ 700	45.02	18.5	21.13	PSC	BAYHTR1505LUGB	17.3 / 20.0	\$ 73	8908428	14.00	\$ 2,334
									TAM4A0A30S21ED	\$ 1,142	49.9	17.5	21.8	PSC	BAYEAAC05LG1AB	17.3 / 20.0	\$ 80	8932007	14.00	\$ 2,783
									GAM5B0B30M21EA	\$ 1,192	51.5	21.3	21.8	X13	BAYEAAC05LG1AB	17.3 / 20.0	\$ 80	8932431	14.50	\$ 2,833
									TEM6A0B30H21SB	\$ 1,038	46.75	18.5	21.13	VAR	BAYHTR1505LUGB	17.3 / 20.0	\$ 73	8932433	14.50	\$ 2,672
4TWR5030H1000A	\$ 1,837	29	37	34	H3642-4 H4040-4	3/4	3/8	25	GAM5B0B30M21EA	\$ 1,192	51.5	21.3	21.8	X13	BAYEAAC05LG1AB	17.3 / 20.0	\$ 80	9033588	15.00	\$ 3,108
									TEM6A0B30H21SB	\$ 1,038	46.75	18.5	21.13	VAR	BAYHTR1505LUGB	17.3 / 20.0	\$ 73	9033590	15.25	\$ 2,947
4TWR6030H1000A	\$ 2,250	37	37	34	H3642-4 H4040-4	3/4	3/8	25	GAM5B0B30M21EA	\$ 1,192	51.5	21.3	21.8	X13	BAYEAAC05LG1AB	17.3 / 20.0	\$ 80	7562378	16.00	\$ 3,521
									TEM6A0B30H21SB	\$ 1,038	46.75	18.5	21.13	VAR	BAYHTR1505LUGB	17.3 / 20.0	\$ 73	7562380	16.00	\$ 3,361

## 3.0 Ton Heat Pump - Single Phase

4TWR4036G1000A	\$ 1,643	33	37	34	H3642-4 H4040-4	3/4	3/8	30	TEM4A0C37S31SB	\$ 791	51.27	23.5	21.13	PSC	BAYHTR1508LUGB	27.7 / 32.0	\$ 85	201763662	14.00	\$ 2,519
									TAM4A0A36S31ED	\$ 1,216	49.9	17.5	21.8	PSC	BAYEAAC08LG1AB	27.7 / 32.0	\$ 92	9968374	14.00	\$ 2,951
									TEM6A0C36H31SB	\$ 1,120	51.27	23.5	21.13	VAR	BAYHTR1508LUGB	27.7 / 32.0	\$ 85	10055854	14.50	\$ 2,848
4TWR5036H1000A	\$ 1,921	45	37	34	H3642-4 H4040-4	7/8	3/8	30	GAM5B0B36M31EA	\$ 1,277	55.7	21.3	21.8	X13	BAYEAAC08LG1AB	27.7 / 32.0	\$ 92	9965276	15.00	\$ 3,291
									TEM6A0C36H31SB	\$ 1,120	51.27	23.5	21.13	VAR	BAYHTR1508LUGB	27.7 / 32.0	\$ 85	9126462	15.00	\$ 3,126
4TWR6036H1000A	\$ 2,356	37	37	34	H3642-4 H4040-4	7/8	3/8	30	TEM4A0C42S41SB	\$ 847	51.27	23.5	21.13	X13	BAYHTR1508LUGB	27.7 / 32.0	\$ 85	8939543	15.00	\$ 3,288
									GAM5B0B36M31EA	\$ 1,277	55.7	21.3	21.8	X13	BAYEAAC08LG1AB	27.7 / 32.0	\$ 92	7562979	15.50	\$ 3,725
									GAM5B0C42M31EA	\$ 1,422	56.9	23.5	21.8	X13	BAYEAAC08LG1AB	27.7 / 32.0	\$ 92	7562980	16.00	\$ 3,870
									TEM6A0C36H31SB	\$ 1,120	51.27	23.5	21.13	VAR	BAYHTR1508LUGB	27.7 / 32.0	\$ 85	7562981	16.00	\$ 3,561

### 3.5 Ton Heat Pump - Single Phase

Condenser	Price	H"	W"	D"	Pad	Suc.	Liq.	MOCP	Air Handler	Price	H"	W"	D"	Motor	Heater	Amps		Price	ARIREF	SEER	Sys. Price
																208/240					
4TWR4042G1000A	\$ 1,752	29	37	34	H3642-4	7/8	3/8	40	TEM4A0C42S41SB	\$ 847	51.27	23.5	21.13	X13	BAYHTR1508LUGB	27.7 / 32.0	\$ 85	8908429	14.00	\$ 2,685	
									GAM5B0C42M31EA	\$ 1,422	56.9	23.5	21.8	X13	BAYEAAC08LG1AB	27.7 / 32.0	\$ 92	8932641	14.50	\$ 3,267	
									TEM6A0C42H41SB	\$ 1,260	51.27	23.5	21.13	VAR	BAYHTR1508LUGB	27.7 / 32.0	\$ 85	8932642	14.50	\$ 3,097	
4TWR5042H1000A	\$ 2,034	37	37	34	H4040-4	7/8	3/8	35	GAM5B0C42M31EA	\$ 1,422	56.9	23.5	21.8	X13	BAYEAAC08LG1AB	27.7 / 32.0	\$ 92	9926384	15.00	\$ 3,548	
									TEM6A0C42H41SB	\$ 1,260	51.27	23.5	21.13	VAR	BAYHTR1508LUGB	27.7 / 32.0	\$ 85	9924469	15.00	\$ 3,379	
4TWR6042H1000A	\$ 2,488	45	37	34		7/8	3/8	40	GAM5B0C42M31EA	\$ 1,422	56.9	23.5	21.8	X13	BAYEAAC08LG1AB	27.7 / 32.0	\$ 92	7563301	16.00	\$ 4,002	
									TEM6A0C42H41SB	\$ 1,260	51.27	23.5	21.13	VAR	BAYHTR1508LUGB	27.7 / 32.0	\$ 85	7563302	16.00	\$ 3,833	

### 4.0 Ton Heat Pump - Single Phase

4TWR4048G1000A	\$ 1,861	33	37	34	H3642-4	7/8	3/8	45	TAM4A0C60S51ED	\$ 1,507	61.7	23.5	21.8	X13	BAYEAAC08LG1AB	27.7 / 32.0	\$ 92	8932643	14.00	\$ 3,460
									TEM4A0C48S41SB	\$ 960	51.27	23.5	21.13	X13	BAYHTR1508LUGB	27.7 / 32.0	\$ 85	8908430	14.00	\$ 2,907
									GAM5B0C48M41EA	\$ 1,567	61.7	23.5	21.8	X13	BAYEAAC08LG1AB	27.7 / 32.0	\$ 92	8932950	14.00	\$ 3,520
									TEM6A0C48H41SB	\$ 1,260	51.27	23.5	21.13	VAR	BAYHTR1508LUGB	27.7 / 32.0	\$ 85	8932951	14.00	\$ 3,206
4TWR5048H1000A	\$ 2,147	45	37	34	H4040-4	7/8	3/8	40	GAM5B0C48M41EA	\$ 1,567	61.7	23.5	21.8	X13	BAYEAAC08LG1AB	27.7 / 32.0	\$ 92	9207703	15.00	\$ 3,806
									TEM6A0D48H41SB	\$ 1,401	53.87	26.5	21.13	VAR	BAYHTR1508LUGB	27.7 / 32.0	\$ 85	9207705	15.00	\$ 3,633
									TEM6A0C48H41SB	\$ 1,518	55.75	23.5	21.13	VAR	BAYHTR1508LUGB	27.7 / 32.0	\$ 85	9561123	15.00	\$ 3,750
4TWR6048H1000A	\$ 2,620	45	37	34		7/8	3/8	40	GAM5B0C42M31EA	\$ 1,422	56.9	23.5	21.8	X13	BAYEAAC08LG1AB	27.7 / 32.0	\$ 92	7563625	16.00	\$ 4,134
									TEM6A0D48H41SB	\$ 1,401	53.87	26.5	21.13	VAR	BAYHTR1508LUGB	27.7 / 32.0	\$ 85	7563627	16.00	\$ 4,106
									TEM6A0C48H41SB	\$ 1,518	55.75	23.5	21.13	VAR	BAYHTR1508LUGB	27.7 / 32.0	\$ 85	8858412	16.50	\$ 4,223

### 5.0 Ton Heat Pump - Single Phase

4TWR4060G1000A	\$ 2,079	45	37	34	H3642-4	1-1/8	3/8	50	TEM4A0C60S51SB	\$ 1,185	51.27	23.5	21.13	X13	BAYHTR1510LUGB	34.6 / 40.0	\$ 92	8908614	14.00	\$ 3,357
									TAM4A0C60S51ED	\$ 1,507	61.7	23.5	21.8	X13	BAYEAAC10LG1BA	34.6 / 40.0	\$ 98	8932952	14.00	\$ 3,684
									GAM5B0C60M51EA	\$ 1,857	61.7	23.5	21.8	X13	BAYEAAC10LG1BA	34.6 / 40.0	\$ 98	9062139	14.00	\$ 4,035
									TEM6A0D60H51SB	\$ 1,683	53.87	26.5	21.13	VAR	BAYHTR1510LUGB	34.6 / 40.0	\$ 92	8933060	14.50	\$ 3,855
4TWR5060H1000A	\$ 2,372	45	37	34	H4040-4	1-1/8	3/8	50	TEM6A0C60H51SB	\$ 1,799	55.75	23.5	21.13	VAR	BAYHTR1510LUGB	34.6 / 40.0	\$ 92	9105507	14.50	\$ 3,971
									TEM4A0C60S51SB	\$ 1,185	51.27	23.5	21.13	X13	BAYHTR1510LUGB	34.6 / 40.0	\$ 92	9099726	14.50	\$ 3,650
									TAM4A0C60S51ED	\$ 1,507	61.7	23.5	21.8	X13	BAYEAAC10LG1BA	34.6 / 40.0	\$ 98	9099723	15.00	\$ 3,976
4TWR6060H1000A	\$ 2,884	45	37	34		1-1/8	3/8	50	TEM6A0C60H51SB	\$ 1,799	55.75	23.5	21.13	VAR	BAYHTR1510LUGB	34.6 / 40.0	\$ 92	10034742	15.00	\$ 4,263
									TEM4A0C60S51SB	\$ 1,185	51.27	23.5	21.13	X13	BAYHTR1510LUGB	34.6 / 40.0	\$ 92	7994953	14.75	\$ 4,161
									TAM4A0C60S51ED	\$ 1,507	61.7	23.5	21.8	X13	BAYEAAC10LG1BA	34.6 / 40.0	\$ 98	7563629	15.00	\$ 4,488
4TWR7060A1000D	\$ 3,504	45	37	34		1-1/8	3/8	60	TEM6A0D60H51SB	\$ 1,683	53.87	26.5	21.13	VAR	BAYHTR1510LUGB	34.6 / 40.0	\$ 92	7793617	15.00	\$ 5,279
									TEM6A0C60H51SB	\$ 1,799	55.75	23.5	21.13	VAR	BAYHTR1510LUGB	34.6 / 40.0	\$ 92	8928974	16.25	\$ 5,396

### 3.0 Ton Heat Pump - 208-230v/3-Phase

Condenser	Price	H"	W"	D"	Pad	Suc.	Liq.	MOC	Air Handler	Price	H"	W"	D"	Motor	Heater	Amps 208/240	Price	ARIREF	SEER	Sys. Price
4TWA4036A3000A	\$ 1,615	29	37	34	H3642-4	7/8	3/8	20	TEM4A0C37S31SB TEM6A0C36H31SB	\$ 791 \$ 1,120	51.27 51.27	23.5 23.5	21.13 21.13	PSC VAR	BAYHTR1508LUGB BAYHTR1508LUGB	27.7 / 32.0 27.7 / 32.0	\$ 85 \$ 85	201763884 9964650	14.00 15.00	\$ 2,492 \$ 2,821
4TWA7036A3000A	\$ 3,110	33	37	34	H4040-4	3/4	3/8	25	TEM6A0C36H31SB	\$ 1,120	51.27	23.5	21.13	VAR	BAYHTR1508LUGB	27.7 / 32.0	\$ 85	8938949	17.50	\$ 4,316

#### 460v/3-Phase

4TWA4036A4000A	\$ 1,657	29	37	34	H3642-4	7/8	3/8	15	TEM4A0C37S31SB GAM5B0B36M31EA TEM6A0C36H31SB	\$ 791 \$ 1,277 \$ 1,120	51.27 55.7 51.27	23.5 21.3 23.5	21.13 21.8 21.13	PSC X13 VAR	BAYHTR1508LUGB BAYEAC08L1AB BAYHTR1508LUGB	27.7 / 32.0 27.7 / 32.0 27.7 / 32.0	\$ 85 \$ 92 \$ 85	201763885 10062674 9964652	14.00 15.00 15.00	\$ 2,533 \$ 3,027 \$ 2,862
4TWA7036A4000A	\$ 3,141	33	37	34	H4040-4	3/4	3/8	15	TEM6A0C36H31SB	\$ 1,120	51.27	23.5	21.13	VAR	BAYHTR1508LUGB	27.7 / 32.0	\$ 85	8939049	17.00	\$ 4,346

### 3.5 Ton Heat Pump - 208-230v/3-Phase

4TWA4042A3000A	\$ 1,719	29	37	34	H3642-4 H4040-4	7/8	3/8	30	TEM4A0C42S41SB GAM5B0C42M31EA	\$ 847 \$ 1,422	51.27 56.9	23.5 23.5	21.13 21.8	X13 X13	BAYHTR1508LUGB BAYEAC08L1AB	27.7 / 32.0 27.7 / 32.0	\$ 85 \$ 92	9964652 10062678	14.00 14.50	\$ 2,652 \$ 3,234
----------------	----------	----	----	----	--------------------	-----	-----	----	----------------------------------	--------------------	---------------	--------------	---------------	------------	--------------------------------	----------------------------	----------------	---------------------	----------------	----------------------

#### 460v/3-Phase

4TWA4042A4000A	\$ 1,761	29	37	34	H3642-4 H4040-4	7/8	3/8	15	TEM4A0C42S41SB GAM5B0C42M31EA	\$ 847 \$ 1,422	51.27 56.9	23.5 23.5	21.13 21.8	X13 X13	BAYHTR1508LUGB BAYEAC08L1AB	27.7 / 32.0 27.7 / 32.0	\$ 85 \$ 92	9964655 10062682	14.50 14.50	\$ 2,693 \$ 3,275
----------------	----------	----	----	----	--------------------	-----	-----	----	----------------------------------	--------------------	---------------	--------------	---------------	------------	--------------------------------	----------------------------	----------------	---------------------	----------------	----------------------

### 4.0 Ton Heat Pump - 208-230v/3-Phase

4TWA4048A3000A	\$ 1,823	33	37	34	H3642-4	7/8	3/8	30	TEM4A0C48S41SB GAM5B0C48M41EA TEM6A0C48H41SB	\$ 960 \$ 1,567 \$ 1,518	51.27 61.7 55.75	23.5 23.5 23.5	21.13 21.8 21.13	X13 X13 VAR	BAYHTR1510LUGB BAYEAC10L1BA BAYHTR1510LUGB	34.6 / 40.0 34.6 / 40.0 34.6 / 40.0	\$ 92 \$ 98 \$ 92	9964657 10062688 9964658	14.00 14.50 15.00	\$ 2,876 \$ 3,488 \$ 3,433
4TWA7048A3000A	\$ 3,535	41	37	34	H4040-4	7/8	3/8	30	TEM6A0D48H41SB TEM6A0C48H41SB	\$ 1,401 \$ 1,518	53.87 55.75	26.5 23.5	21.13 21.13	VAR VAR	BAYHTR1510LUGB BAYHTR1510LUGB	34.6 / 40.0 34.6 / 40.0	\$ 92 \$ 92	8939200 9138537	17.50 17.50	\$ 5,029 \$ 5,145

#### 460v/3-Phase

4TWA4048A4000A	\$ 1,864	33	37	34	H3642-4	7/8	3/8	15	TEM4A0C48S41SB GAM5B0C48M41EA TEM6A0C48H41SB	\$ 960 \$ 1,567 \$ 1,518	51.27 61.7 55.75	23.5 23.5 23.5	21.13 21.8 21.13	X13 X13 VAR	BAYHTR1510LUGB BAYEAC10L1BA BAYHTR1510LUGB	34.6 / 40.0 34.6 / 40.0 34.6 / 40.0	\$ 92 \$ 98 \$ 92	9964659 10062693 9964660	14.00 14.50 15.00	\$ 2,917 \$ 3,529 \$ 3,475
4TWA7048A4000A	\$ 3,566	41	37	34	H4040-4	7/8	3/8	15	TEM6A0D48H41SB TEM6A0C48H41SB	\$ 1,401 \$ 1,518	53.87 55.75	26.5 23.5	21.13 21.13	VAR VAR	BAYHTR1510LUGB BAYHTR1510LUGB	34.6 / 40.0 34.6 / 40.0	\$ 92 \$ 92	8939287 9138538	17.50 17.50	\$ 5,060 \$ 5,176

### 5.0 Ton Heat Pump - 208-230v/3-Phase

4TWA4060A3000A	\$ 2,031	45	37	34	H3642-4	1-1/8	3/8	35	TEM4A0C60S51SB GAM5B0C60M51EA TEM6A0D60H51SB	\$ 1,185 \$ 1,857 \$ 1,683	51.27 61.7 53.87	23.5 23.5 26.5	21.13 21.8 21.13	X13 X13 VAR	BAYHTR1510LUGB BAYEAC10L1BA BAYHTR1510LUGB	34.6 / 40.0 34.6 / 40.0 34.6 / 40.0	\$ 92 \$ 98 \$ 92	9964661 10062696 9964662	14.50 14.50 15.00	\$ 3,308 \$ 3,986 \$ 3,806
4TWA7060A3000A	\$ 3,822	41	37	34	H4040-4	1-1/8	3/8	35	TEM6A0D60H51SB TEM6A0C60H51SB	\$ 1,683 \$ 1,799	53.87 55.75	26.5 23.5	21.13 21.13	VAR VAR	BAYHTR1510LUGB BAYHTR1510LUGB	34.6 / 40.0 34.6 / 40.0	\$ 92 \$ 92	8939318 9141025	16.00 16.50	\$ 5,597 \$ 5,714

#### 460v/3-Phase

4TWA4060A4000A	\$ 2,072	45	37	34	H3642-4	1-1/8	3/8	15	TEM4A0C60S51SB GAM5B0C60M51EA TEM6A0D60H51SB	\$ 1,185 \$ 1,857 \$ 1,683	51.27 61.7 53.87	23.5 23.5 26.5	21.13 21.8 21.13	X13 X13 VAR	BAYHTR1510LUGB BAYEAC10L1BA BAYHTR1510LUGB	34.6 / 40.0 34.6 / 40.0 34.6 / 40.0	\$ 92 \$ 98 \$ 92	9964663 10062699 9964664	14.50 14.50 15.00	\$ 3,350 \$ 4,027 \$ 3,847
4TWA7060A4000A	\$ 3,863	41	37	34	H4040-4	1-1/8	3/8	15	TEM6A0D60H51SB TEM6A0C60H51SB	\$ 1,683 \$ 1,799	53.87 55.75	26.5 23.5	21.13 21.13	VAR VAR	BAYHTR1510LUGB BAYHTR1510LUGB	34.6 / 40.0 34.6 / 40.0	\$ 92 \$ 92	8939349 9141026	16.00 16.50	\$ 5,638 \$ 5,755

Three-Phase Heaters are Available for 208-240/3/60 Input Power to the Air Handler

# Compact / Over-the-Water Air Handler Matchups

## 1.5 Ton Straight Cool - Single Phase

Condenser	Price	H"	W"	D"	Pad	Suc.	Liq.	MOCP	Air Handler	Price	H"	W"	D"	Motor	Heater	Amps		Price	ARIREF	SEER	Sys. Price
																208/240					
4TTR4018L1000A	\$ 1,079	29	29	26	H3030-4 H3232-4	3/4	3/8	20	TMM4B0A18S21SA	\$ 498	36.5	20.5	15.0	PSC	BAYHTRM505BRKA	18.0 / 20.8	\$ 94	203459896	14.00	\$ 1,671	
									TMM5B0A24M21SA	\$ 671	36.5	20.5	15.0	X13	BAYHTRM505BRKA	18.0 / 20.8	\$ 94	203460794	15.50	\$ 1,844	
4TTR6018J1000A	\$ 1,103	29	33	30	H3636-4	3/4	3/8	25	TMM4B0A18S21SA	\$ 498	36.5	20.5	15.0	PSC	BAYHTRM505BRKA	18.0 / 20.8	\$ 94	203459907	14.50	\$ 1,695	
									TMM5B0A24M21SA	\$ 671	36.5	20.5	15.0	X13	BAYHTRM505BRKA	18.0 / 20.8	\$ 94	203460803	16.00	\$ 1,869	

## 2.0 Ton Straight Cool - Single Phase

4TTR4024L1000A	\$ 1,170	29	29	26	H3030-4 H3232-4	3/4	3/8	25	TMM4B0A24S21SA	\$ 521	36.5	20.5	15.0	PSC	BAYHTRM505BRKA	18.0 / 20.8	\$ 94	203459898	14.00	\$ 1,785
									TMM5B0A24M21SA	\$ 671	36.5	20.5	15.0	X13	BAYHTRM505BRKA	18.0 / 20.8	\$ 94	203459900	14.50	\$ 1,935
									TMM5B0B30M21SA	\$ 780	39.5	22.0	19.0	X13	BAYHTRM505BRKA	18.0 / 20.8	\$ 94	203460795	15.00	\$ 2,044
4TTR6024J1000B	\$ 1,300	29	33	30	H3636-4	3/4	3/8	25	TMM5B0A24M21SA	\$ 671	36.5	20.5	15.0	X13	BAYHTRM505BRKA	18.0 / 20.8	\$ 94	203460804	15.50	\$ 2,066

## 2.5 Ton Straight Cool - Single Phase

4TTR4030L1000A	\$ 1,261	29	33	30	H3636-4	3/4	3/8	25	TMM5B0B30M21SA	\$ 780	39.5	22.0	19.0	X13	BAYHTRM505BRKA	18.0 / 20.8	\$ 94	203460797	15.00	\$ 2,134
4TTR6030J1000A	\$ 1,390	37	33	30		3/4	3/8	25	TMM4B0B30S21SA	\$ 625	39.5	22.0	19.0	PSC	BAYHTRM505BRKA	18.0 / 20.8	\$ 94	203459910	14.50	\$ 2,109
									TMM5B0B30M21SA	\$ 780	39.5	22.0	19.0	X13	BAYHTRM505BRKA	18.0 / 20.8	\$ 94	203460806	16.00	\$ 2,264

## 3.0 Ton Straight Cool - Single Phase

4TTR4036L1000A	\$ 1,352	33	33	30	H3636-4	3/4	3/8	30	TMM4B0B36S31SA	\$ 728	39.5	22.0	19.0	PSC	BAYHTRM508BRKA	27.1 / 31.2	\$ 106	203459907	14.00	\$ 2,186
									TMM5B0B36M31SA	\$ 888	39.5	22.0	19.0	X13	BAYHTRM508BRKA	27.1 / 31.2	\$ 106	203460801	15.00	\$ 2,347
4TTR6036J1000A	\$ 1,510	37	37	34	H3642-4	7/8	3/8	30	TMM4B0B36S31SA	\$ 728	39.5	22.0	19.0	PSC	BAYHTRM508BRKA	27.1 / 31.2	\$ 106	203459911	14.50	\$ 2,345
									TMM5B0B36M31SA	\$ 888	39.5	22.0	19.0	X13	BAYHTRM508BRKA	27.1 / 31.2	\$ 106	203460808	15.50	\$ 2,505

## 1.5 Ton Heat Pump - Single Phase

4TWR4018G1000A	\$ 1,397	29	29	26	H3030-4 H3232-4	3/4	3/8	20	TMM4B0A18S21SA	\$ 498	36.5	20.5	15.0	PSC	BAYHTRM505BRKA	18.0 / 20.8	\$ 94	203461415	14.00	\$ 1,989
									TMM5B0A24M21SA	\$ 671	36.5	20.5	15.0	X13	BAYHTRM505BRKA	18.0 / 20.8	\$ 94	203461409	15.00	\$ 2,163

## 2.0 Ton Heat Pump - Single Phase

4TWR4024G1000A	\$ 1,479	29	33	30	H3636-4	3/4	3/8	30	TMM4B0A24S21SA	\$ 521	36.5	20.5	15.0	PSC	BAYHTRM505BRKA	18.0 / 20.8	\$ 94	203461410	14.00	\$ 2,094
									TMM5B0A24M21SA	\$ 671	36.5	20.5	15.0	X13	BAYHTRM505BRKA	18.0 / 20.8	\$ 94	203461411	15.00	\$ 2,244

## 2.5 Ton Heat Pump - Single Phase

4TWR4030G1000A	\$ 1,561	29	37	34	H3642-4 H4040-4	3/4	3/8	25	TMM4B0B30S21SA	\$ 625	39.5	22.0	19.0	PSC	BAYHTRM505BRKA	18.0 / 20.8	\$ 94	203461395	14.50	\$ 2,280
									TMM5B0B30M21SA	\$ 780	39.5	22.0	19.0	X13	BAYHTRM505BRKA	18.0 / 20.8	\$ 94	203461396	15.00	\$ 2,435
									TMM5B0B36M31SA	\$ 888	39.5	22.0	19.0	X13	BAYHTRM505BRKA	18.0 / 20.8	\$ 94	203461397	15.00	\$ 2,543

## 3.0 Ton Heat Pump - Single Phase

4TWR4036G1000A	\$ 1,643	33	37	34	H3642-4	3/4	3/8	35	GMV2AEB39101SA	\$ 929	29.5	22.2	19.4	X13	Factory Installed 10kW	47.0 / 54.0	\$ -	202409969	15.00	\$ 2,572
4TWR6036H1000A	\$ 2,356	33	37	34	H3642-4	3/4	3/8	35	GMV2AEB39101SA	\$ 929	29.5	22.2	19.4	X13	Factory Installed 10kW	47.0 / 54.0	\$ -	202410001	15.00	\$ 3,285



## Air Handler Accessories

Air Handler	H"	W"	D"	Motor	Horiz. Pan	Vert. Pan	R-22 TXV	1" OEM Filter Rack	1" Filter Size	1" / 2" Ins. Filter Box	1" / 2" Filter Size	Exact Fit Filter Box	Exact Fit Filter	Insulated AHU Stand	Prefab 4' Plenum
TEM4A0B18S21SB	45.02	18.5	21.13	PSC	28 x 54	26 x 26	BAYATXV1836B	BAYSF1185AAA	18 x 20 x 1	#433-211	16 x 20	#433-406	16 x 20 x 4	#500-317	#500-127
TEM4A0B24S21SB	45.02	18.5	21.13	PSC	28 x 54	26 x 26	BAYATXV1836B	BAYSF1185AAA	18 x 20 x 1	#433-211	16 x 20	#433-406	16 x 20 x 4	#500-317	#500-127
TEM4A0B30S31SB	45.02	18.5	21.13	PSC	28 x 54	26 x 26	BAYATXV1836B	BAYSF1185AAA	18 x 20 x 1	#433-211	16 x 20	#433-406	16 x 20 x 4	#500-317	#500-127
TEM4A0C37S31SB	51.27	23.5	21.13	PSC	30 x 60	30 x 30	BAYATXV4248B	BAYSF1235AAA	20 x 23 x 1	#433-218	20 x 22	#433-412	20 x 20 x 4	#500-327	#500-159
TEM4A0C42S41SB	51.27	23.5	21.13	X13	30 x 60	30 x 30	BAYATXV4248B	BAYSF1235AAA	20 x 23 x 1	#433-218	20 x 22	#433-412	20 x 20 x 4	#500-327	#500-159
TEM4A0C48S41SB	51.27	23.5	21.13	X13	30 x 60	30 x 30	BAYATXV4248B	BAYSF1235AAA	20 x 23 x 1	#433-218	20 x 22	#433-412	20 x 20 x 4	#500-327	#500-159
TEM4A0C60S51SB	51.27	23.5	21.13	X13	30 x 60	30 x 30	BAYATXV6161B	BAYSF1235AAA	20 x 23 x 1	#433-218	20 x 22	#433-412	20 x 20 x 4	#500-327	#500-159
TEM6A0B24H21SB	46.75	18.5	21.13	VAR	28 x 54	26 x 26	BAY6TXV2442A	BAYSF1185AAA	18 x 20 x 1	#433-211	16 x 20	#433-406	16 x 20 x 4	#500-317	#500-127
TEM6A0B30H21SB	46.75	18.5	21.13	VAR	28 x 54	26 x 26	BAY6TXV2442A	BAYSF1185AAA	18 x 20 x 1	#433-211	16 x 20	#433-406	16 x 20 x 4	#500-317	#500-127
TEM6A0C36H31SB	51.27	23.5	21.13	VAR	30 x 60	30 x 30	BAY6TXV2442A	BAYSF1235AAA	20 x 23 x 1	#433-218	20 x 22	#433-412	20 x 20 x 4	#500-327	#500-159
TEM6A0C42H41SB	51.27	23.5	21.13	VAR	30 x 60	30 x 30	BAY6TXV2442A	BAYSF1235AAA	20 x 23 x 1	#433-218	20 x 22	#433-412	20 x 20 x 4	#500-327	#500-159
TEM6A0C48H41SB	55.75	23.5	21.13	VAR	30 x 66	30 x 30	BAYATXV6161B	BAYSF1235AAA	20 x 23 x 1	#433-218	20 x 22	#433-412	20 x 20 x 4	#500-327	#500-159
TEM6A0D48H41SB	53.87	26.5	21.13	VAR	30 x 60	30 x 30	BAY6TXV4860A	BAYSF1265AAA	20 x 26 x 1	#433-228	20 X 25	#433-415	20 x 24 x 4	#500-332	#500-182
TEM6A0C60H51SB	55.75	23.5	21.13	VAR	30 x 66	30 x 30	BAYATXV6161B	BAYSF1235AAA	20 x 23 x 1	#433-218	20 x 22	#433-412	20 x 20 x 4	#500-327	#500-159
TEM6A0D60H51SB	53.87	26.5	21.13	VAR	30 x 60	30 x 30	BAY6TXV4860A	BAYSF1265AAA	20 x 26 x 1	#433-228	20 X 25	#433-415	20 x 24 x 4	#500-332	#500-182
TAM4A0A18S11ED	49.9	17.5	21.8	PSC	30 x 60	26 x 26	Compatible	Included	16 x 20 x 1	N/A	N/A	#433-403	16 x 20 x 4	#500-315	#500-125
TAM4A0A24S21ED	49.9	17.5	21.8	PSC	30 x 60	26 x 26	Compatible	Included	16 x 20 x 1	N/A	N/A	#433-403	16 x 20 x 4	#500-315	#500-125
TAM4A0A30S21ED	49.9	17.5	21.8	PSC	30 x 60	26 x 26	Compatible	Included	16 x 20 x 1	N/A	N/A	#433-403	16 x 20 x 4	#500-315	#500-125
TAM4A0A36S31ED	49.9	17.5	21.8	PSC	30 x 60	26 x 26	Compatible	Included	16 x 20 x 1	N/A	N/A	#433-403	16 x 20 x 4	#500-315	#500-125
TAM4A0B42S31ED	55.7	21.3	21.8	PSC	30 x 66	26 x 26	Compatible	Included	20 x 20 x 1	N/A	N/A	#433-409	20 x 20 x 4	#500-324	#500-145
TAM4A0C48S41ED	56.9	23.5	21.8	PSC	30 x 66	30 x 30	Compatible	Included	20 x 22 x 1	N/A	N/A	#433-412	20 x 20 x 4	#500-327	#500-159
TAM4A0C60S51ED	61.7	23.5	21.8	X13	30 x 66	30 x 30	Compatible	Included	20 x 22 x 1	N/A	N/A	#433-412	20 x 20 x 4	#500-327	#500-159
GAM5B0A18M11EA	49.9	17.5	21.8	X13	30 x 60	26 x 26	BAYATXV1836B	Included	16 x 20 x 1	N/A	N/A	#433-403	16 x 20 x 4	#500-315	#500-125
GAM5B0A24M21EA	49.9	17.5	21.8	X13	30 x 60	26 x 26	BAYATXV1836B	Included	16 x 20 x 1	N/A	N/A	#433-403	16 x 20 x 4	#500-315	#500-125
GAM5B0B30M21EA	51.5	21.3	21.8	X13	30 x 60	26 x 26	BAYATXV4248B	Included	20 x 20 x 1	N/A	N/A	#433-409	20 x 20 x 4	#500-324	#500-145
GAM5B0B36M31EA	55.7	21.3	21.8	X13	30 x 66	26 x 26	BAYATXV4248B	Included	20 x 20 x 1	N/A	N/A	#433-409	20 x 20 x 4	#500-324	#500-145
GAM5B0C42M31EA	56.9	23.5	21.8	X13	30 x 66	30 x 30	BAYATXV4248B	Included	20 x 22 x 1	N/A	N/A	#433-412	20 x 20 x 4	#500-327	#500-159
GAM5B0C48M41EA	61.7	23.5	21.8	X13	30 x 66	30 x 30	BAYATXV6060A	Included	20 x 22 x 1	N/A	N/A	#433-412	20 x 20 x 4	#500-327	#500-159
GAM5B0C60M51EA	61.7	23.5	21.8	X13	30 x 66	30 x 30	BAYATXV6060A	Included	20 x 22 x 1	N/A	N/A	#433-412	20 x 20 x 4	#500-327	#500-159
GMU2APB24051SA	25.5	22.2	19.4	PSC	N/A	24 x 24	Use optional orifice	Included	20 x 20 x 1	N/A	N/A	N/A	N/A	Bare #040	#500-127
GMU2APB30081SA	29.5	22.2	19.4	PSC	N/A	24 x 24	Use optional orifice	Included	20 x 24 x 1	N/A	N/A	N/A	N/A	Bare #040	#500-127
GMU2AEB37101SA	29.5	22.2	19.4	X13	N/A	24 x 24	Use optional orifice	Included	20 x 24 x 1	N/A	N/A	N/A	N/A	Bare #040	#500-127
GMV2APB26051SA	25.5	22.2	19.4	PSC	N/A	24 x 24	N/A	Included	20 x 20 x 1	N/A	N/A	N/A	N/A	Bare #040	#500-127
GMV2APB32081SA	29.5	22.2	19.4	PSC	N/A	24 x 24	N/A	Included	20 x 24 x 1	N/A	N/A	N/A	N/A	Bare #040	#500-127
GMV2AEB39101SA	29.5	22.2	19.4	X13	N/A	24 x 24	N/A	Included	20 x 24 x 1	N/A	N/A	N/A	N/A	Bare #040	#500-127
TMM4B0A18S21SA	36.5	20.5	15.0	PSC	N/A	24 x 24	2AYTXVH3G2436A	Included	16 x 20 x 1	N/A	N/A	N/A	N/A	Bare #040	N/A
TMM4B0A24S21SA	36.5	20.5	15.0	PSC	N/A	24 x 24	2AYTXVH3G2436A	Included	16 x 20 x 1	N/A	N/A	N/A	N/A	Bare #040	N/A
TMM4B0B30S21SA	39.5	22.0	19.0	PSC	N/A	26 x 26	2AYTXVH3G2436A	Included	20 x 20 x 1	N/A	N/A	N/A	N/A	Bare #040	#500-127
TMM4B0B36S31SA	39.5	22.0	19.0	PSC	N/A	26 x 26	2AYTXVH3G2436A	Included	20 x 20 x 1	N/A	N/A	N/A	N/A	Bare #040	#500-127
TMM5B0A24M21SA	36.5	20.5	15.0	X13	N/A	26 x 26	2AYTXVH3G2436A	Included	16 x 20 x 1	N/A	N/A	N/A	N/A	Bare #040	N/A
TMM5B0B30M21SA	39.5	22.0	19.0	X13	N/A	26 x 26	2AYTXVH3G2436A	Included	20 x 20 x 1	N/A	N/A	N/A	N/A	Bare #040	#500-127
TMM5B0B36M31SA	39.5	22.0	19.0	X13	N/A	26 x 26	2AYTXVH3G2436A	Included	20 x 20 x 1	N/A	N/A	N/A	N/A	Bare #040	#500-127

# Gas Furnaces

- 1 - Condenser
- 2 - Cased Coil
- 3 - Furnace
- 4 - Air Cleaner



### General Notes about Gas Split Systems

All Residential Furnaces are 115v power (that is why we stock some 115v multi-fit motors). The most common type is 80% efficient (metal flue pipe). 95% efficient units employ a PVC flue pipe, because they produce less waste heat. The furnace flue pipe allows the exhaust gases from the furnace to be safely moved outside of the home. Furnaces are shipped for natural gas usage, but can be converted to propane with the use of an LP conversion kit.

Most gas systems in our market use a straight cool condenser, since the furnace is more than adequate to provide home heating. A heat pump condenser can be chosen with a gas split system to provide heat from both the furnace and the condenser (but it's rare).

Furnace selections are made by BTU input, not BTU output. Example, an 80,000 BTU furnace input produces 64,000 BTU output. Engineers will normally size a furnace based on BTU input.

AHRI Certificates for system SEER ratings can be found on the AHRI Directory Website. Straight cool combinations are located under "Residential Air Conditioners and Air Conditioner Coils." Heat pump combinations are located under "Residential - Heat Pumps."

### Dimensions

Most Trane residential furnaces are 28" deep; while most Trane cased coils are 21.5" deep. This difference in depth allows room for the flue/vent pipe to come out of the furnace and pass in front of the coil (see image).

Most furnaces are 40" tall, and most coils are 30" tall. This combined 70" height means that a horizontal application may require a 76" long secondary drain pan.

You typically match the width of furnace to the width of the cased coil. The 5<sup>th</sup> digit in the model numbers determines the cabinet width. Example: S8X1C080 / 4TXCC007 are both 21" wide. A = 14.5" / B = 17.5" / C = 21.0" / D = 23.5".

### General Matchup Guidelines for Our Market

- 1.5 – 2.5 Tons of AC matches well with a 40,000 to 60,000 BTU furnace
- 3.0 – 4.0 Tons of AC matches well with an 80,000 BTU furnace
- 5.0 Tons of AC matches well with a 100,000 BTU furnace

### Furnace Stages

Standard furnaces have a single stage of gas heat, while premium furnaces can have two stages of gas heat. Our market is primarily single stage. The number of stages is determined by the 4<sup>th</sup> digit of the model number. For example: S8X1B080M is a

### Furnace Configuration

The airflow configuration for the application of the furnace can be found in either the 9<sup>th</sup> or 2<sup>nd</sup> digit of the model number.

U = Upflow/Horizontal

D = Downflow/Horizontal

M = 4-way (Up/Down/Left/Right)

Example: TUD1C080A = upflow/horizontal application

Example: S8X1B080M = Multi-Position

### Cased Coil Configuration

The most common Trane coil is the 4TXC series, which is set up for multi-position applications – upflow, downflow, horizontal left and right. There are other series (4PXC for example) that are dedicated upflow or downflow. Consult the Trane Residential and Light Commercial Handbook for those options.

For furnace system other than what is on our Quick Quoter, please contact Tampa Bay Trane customer service with the details. They can assist in making your selection.

**Trane's S8X furnaces feature 9-speed constant torque motors. This provides superior airflow control, allowing matchups with an enormous variety and size range of coils.**

## 2.0 Ton Gas Furnace - Single Phase - 40,000 BTU Input Furnace - 80% Efficiency, Single Stage

Condenser	Price	H"	W"	D"	Pad	Suc.	Liq.	MOCP	ARIREF	SEER	Furnace	Price	H"	W"	D"	Motor	MOCP	Coil	Price	H"	W"	D"	Sys. Price
4TTR4024L1000A	\$ 1,170	29	29	26	H3030-4	3/4	3/8	25	202451430	15.00	S8X1B040M2PSAB	\$ 948	34.0	17.5	28.75	X13	15	4TXCB003DS3HCA	\$ 461	17.5	17.5	21.5	\$ 2,579
4TTR4025L1000A	\$ 1,286	29	29	26	H3030-4	3/4	3/8	25	202451455	16.00								4TXCB004DS3HCA	\$ 472	22.5	17.5	21.5	\$ 2,721
4TTR6024J1000B	\$ 1,300	29	33	30	H3636-4	3/4	3/8	25	202453405	17.00													

**Drain pan for horizontal furnace applications is 30" x 76" (Item # PAN-30X76-24G)**

### 2.5 Ton Gas Furnace - Single Phase - 60,000 BTU Input Furnace - 80% Efficiency, Single Stage

Condenser	Price	H"	W"	D"	Pad	Suc.	Liq.	MOC	ARIREF	SEER	Furnace	Price	H"	W"	D"	Motor	MOC	Coil	Price	H"	W"	D"	Sys. Price
4TTR4030L1000A	\$ 1,261	29	33	30	H3636-4	3/4	3/8	25	202451477	15.00	S8X1B060M3PSAB	\$ 1,014	34.0	17.5	28.75	X13	15	4TXCB004DS3HCA	\$ 472	22.5	17.5	21.5	\$ 2,747
4TTR4031L1000A	\$ 1,317	29	33	30	H3636-4	3/4	3/8	25	202451512	16.00													\$ 2,803
4TTR6030J1000A	\$ 1,390	37	33	30	H3636-4	3/4	3/8	25	202453467	16.00													\$ 2,876

### 3.0 Ton Gas Furnace - Single Phase - 80,000 BTU Input Furnace - 80% Efficiency, Single Stage

4TTR4036L1000A	\$ 1,352	33	33	30	H3636-4	3/4	3/8	30	203305128	15.00	S8X1B080M4PSBA	\$ 1,082	34.0	17.5	28.75	X13	15	4TXCB004DS3HCA	\$ 472	22.5	17.5	21.5	\$ 2,906
4TTR4037L1000A	\$ 1,408	33	33	30	H3636-4	3/4	3/8	30	202451583	16.00													\$ 3,037
4TTR6036J1000A	\$ 1,510	37	37	34	H3642-4	7/8	3/8	30	202453561	17.00													\$ 3,140

### 3.5 Ton Gas Furnace - Single Phase - 80,000 BTU Input Furnace - 80% Efficiency, Single Stage

4TTR4042L1000A	\$ 1,472	29	37	34	H3642-4	7/8	3/8	35	202451627	15.00	S8X1C080M5PSAB	\$ 1,112	34.0	21.0	28.75	X13	15	4TXCC007DS3HCA	\$ 553	26.9	21.0	21.5	\$ 3,137
4TTR6042J1000A	\$ 1,664	45	37	34	H3642-4	7/8	3/8	35	202451766	16.00													\$ 3,329

### 4.0 Ton Gas Furnace - Single Phase - 80,000 BTU Input Furnace - 80% Efficiency, Single Stage

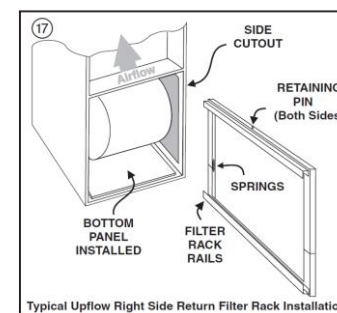
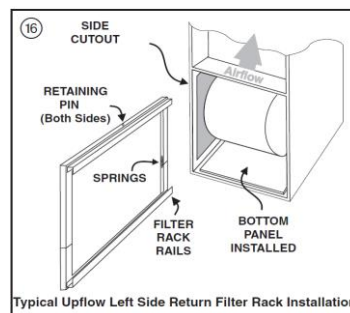
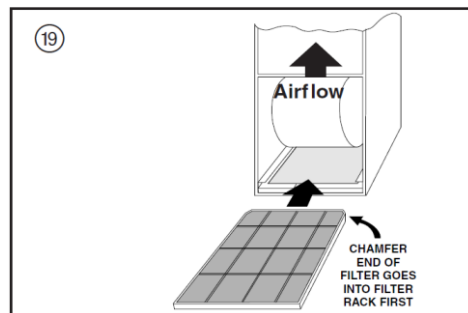
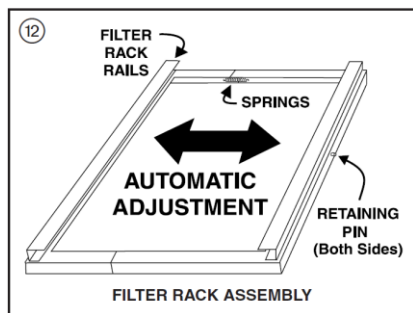
4TTR4048L1000A	\$ 1,594	29	37	34	H3642-4	7/8	3/8	40	202451709	15.00	S8X1C080M5PSAB	\$ 1,112	34.0	21.0	28.75	X13	15	4TXCC007DS3HCA	\$ 553	26.9	21.0	21.5	\$ 3,259
4TTR6048J1000A	\$ 1,815	45	37	34	H3642-4	7/8	3/8	40	202451817	16.00													\$ 3,556

### 5.0 Ton Gas Furnace - Single Phase - 100,000 BTU Input Furnace - 80% Efficiency, Single Stage

4TTR4060L1000B	\$ 1,836	37	37	34	H3642-4	7/8	3/8	50	202451733	14.50	S8X1C100M5PSAB	\$ 1,148	34.0	21.0	28.75	X13	20	4TXCC009DS3HCA	\$ 628	30.7	21.0	21.5	\$ 3,612
4TTR6061C1000A	\$ 2,328	45	37	34	H3642-4	1-1/8	3/8	50	202451834	16.00													\$ 4,105

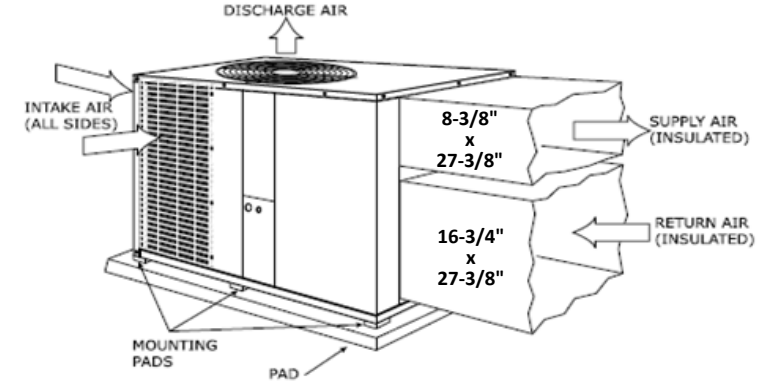
Drain pan for horizontal furnace applications is 30" x 76" (Item # PAN-30X76-24G)

### Upflow Filter Rack for Furnaces - BAYRACK960A



## Over-Under Heat Pump Units - Single Phase

Tons	Model Number	Price	SEER	AHRI #	H"	W"	D"	Pad	Heater	kW 208 / 240	Price	System Price
2.0	4WHC4024A1000A	\$ 3,250	16.00	8107726	31	32	44	H3648-4	BAYHTRC106A	4.3 / 5.8	\$ 132	\$ 3,382
2.5	4WHC4030A1000A	\$ 3,368	14.00	8107727	31	32	44	H3648-4	BAYHTRC106A	4.3 / 5.8	\$ 132	\$ 3,499
3.0	4WHC4036A1000A	\$ 3,484	14.00	8107728	31	32	44	H3648-4	BAYHTRC106A	4.3 / 5.8	\$ 132	\$ 3,616
3.5	4WHC4042A1000A	\$ 3,660	14.00	8107729	31	32	44	H3648-4	BAYHTRC109A	6.1 / 8.2	\$ 137	\$ 3,798



## Trane Impact Straight Cool Packages

### Straight Cool - Single Phase

Tons	Model Number	Price	SEER	AHRI #	H"	W"	D"	Pad	Heater	kW 208 / 240	Price	Single Power Entry Kit	Price	System Price	Commercial Application Accessories					
															Manual Air Damper	Price	Filter Rack for Outside Air	Price	Curb Adapter	Price
2.0	4TCC4024A1000A	\$ 2,668	14.00	7501856	36	49	42	H4558-4	BAYHTRV105F	3.76 / 5.0	\$ 181	BAYSPEK060F	\$ 61	\$ 2,910	BAYOSAH001A	\$ 156	BAYFLTR101C	\$ 70	BAYCURB050A	\$ 219
	4TCY5024A1000A	\$ 2,845	15.00	9113313	36	49	42	H4558-4	BAYHTRV105F	3.76 / 5.0	\$ 181	BAYSPEK060F	\$ 61	\$ 3,086	BAYOSAH001A	\$ 156	BAYFLTR101C	\$ 70	BAYCURB050A	\$ 219
2.5	4TCC4030A1000A	\$ 2,786	14.00	7501857	36	49	42	H4558-4	BAYHTRV105F	3.76 / 5.0	\$ 181	BAYSPEK060F	\$ 61	\$ 3,028	BAYOSAH001A	\$ 156	BAYFLTR101C	\$ 70	BAYCURB050A	\$ 219
	4TCY5030A1000A	\$ 3,050	15.00	9113314	38	49	42	H4558-4	BAYHTRV105F	3.76 / 5.0	\$ 181	BAYSPEK060F	\$ 61	\$ 3,292	BAYOSAH001A	\$ 156	BAYFLTR101C	\$ 70	BAYCURB050A	\$ 219
3.0	4TCC4036A1000A	\$ 2,904	14.00	7501858	38	49	42	H4558-4	BAYHTRV108F	6.0 / 8.0	\$ 207	BAYSPEK060F	\$ 61	\$ 3,172	BAYOSAH001A	\$ 156	BAYFLTR101C	\$ 70	BAYCURB050A	\$ 219
	4TCY5036A1000A	\$ 3,256	15.00	9113315	38	49	42	H4558-4	BAYHTRV108F	6.0 / 8.0	\$ 207	BAYSPEK060F	\$ 61	\$ 3,525	BAYOSAH001A	\$ 156	BAYFLTR101C	\$ 70	BAYCURB050A	\$ 219
3.5	4TCC4042A1000A	\$ 3,079	14.00	7501859	36	59	45	(2) H3672-4	BAYHTRV108F	6.0 / 8.0	\$ 207	BAYSPEK060F	\$ 61	\$ 3,347	BAYOSAH002A	\$ 161	BAYFLTR201C	\$ 73	BAYCURB051A	\$ 232
	4TCY5042A1000A	\$ 3,424	15.00	9113316	38	59	45	(2) H3672-4	BAYHTRV108F	6.0 / 8.0	\$ 207	BAYSPEK062F	\$ 68	\$ 3,699	BAYOSAH002A	\$ 161	BAYFLTR201C	\$ 73	BAYCURB051A	\$ 232
4.0	4TCC4048A1000A	\$ 3,256	14.00	7501860	40	59	45	(2) H3672-4	BAYHTRV110F	7.5 / 10.0	\$ 221	BAYSPEK060F	\$ 61	\$ 3,539	BAYOSAH002A	\$ 161	BAYFLTR201C	\$ 73	BAYCURB051A	\$ 232
	4TCY5048A1000A	\$ 3,587	15.00	9122731	42	59	45	(2) H3672-4	BAYHTRV110F	7.5 / 10.0	\$ 221	BAYSPEK062F	\$ 68	\$ 3,876	BAYOSAH002A	\$ 161	BAYFLTR201C	\$ 73	BAYCURB051A	\$ 232
5.0	4TCC4060A1000A	\$ 3,587	14.00	7501861	40	59	45	(2) H3672-4	BAYHTRV110F	7.5 / 10.0	\$ 221	BAYSPEK062F	\$ 68	\$ 3,876	BAYOSAH002A	\$ 161	BAYFLTR201C	\$ 73	BAYCURB051A	\$ 232
	4TCY5060A1000A	\$ 3,915	15.00	9113317	42	59	45	(2) H3672-4	BAYHTRV110F	7.5 / 10.0	\$ 221	BAYSPEK062F	\$ 68	\$ 4,204	BAYOSAH002A	\$ 161	BAYFLTR201C	\$ 73	BAYCURB051A	\$ 232

### Straight Cool - 208-230v 3-Phase

Tons	Model Number	Price	SEER	AHRI #	H"	W"	D"	Pad	Heater	kW 208 / 240	Price	Single Power Entry Kit	Price	System Price	Commercial Application Accessories					
															Manual Air Damper	Price	Filter Rack for Outside Air	Price	Curb Adapter	Price
3.0	4TCY4036B3000A	\$ 3,079	14.20	5085497	38	42	49	H4558-4	BAYHTRV305F	3.76 / 5.0	\$ 206	BAYSPEK061E	\$ 63	\$ 3,348	BAYOSAH001A	\$ 156	BAYFLTR101C	\$ 70	BAYCURB050A	\$ 219
4.0	4TCY4048B3000A	\$ 3,424	14.30	1176926	38	45	59	(2) H3672-4	BAYHTRV310F	7.5 / 10.0	\$ 246	BAYSPEK061E	\$ 63	\$ 3,733	BAYOSAH002A	\$ 161	BAYFLTR201C	\$ 73	BAYCURB051A	\$ 232
5.0	4TCY4060A3000B	\$ 3,751	14.30	1176930	42	45	59	(2) H3672-4	BAYHTRV310F	7.5 / 10.0	\$ 246	BAYSPEK061E	\$ 63	\$ 4,061	BAYOSAH002A	\$ 161	BAYFLTR201C	\$ 73	BAYCURB051A	\$ 232

# Trane Impack Heat Pump Packages

## 208-230v - Single Phase

Tons	Model Number	Price	SEER	AHRI #	H"	W"	D"	Pad	Heater	kW 208 / 240	Single Power Entry Kit	Price	System Price	Commercial Application Accessories						
														Manual Air Damper	Price	Filter Rack for Outside Air	Price	Curb Adapter	Price	
2.0	4WCC4024A1000A	\$ 2,838	14.00	7501834	36	49	42	H4558-4	BAYHTRV105F	3.76 / 5.0	\$ 181	BAYSPEK060F	\$ 61	\$ 3,080	BAYOSAH001A	\$ 156	BAYFLTR101C	\$ 70	BAYCURB050A	\$ 219
	4WCY5024A1000A	\$ 3,031	15.00	8954997	36	49	42	H4558-4	BAYHTRV105F	3.76 / 5.0	\$ 181	BAYSPEK060F	\$ 61	\$ 3,273	BAYOSAH001A	\$ 156	BAYFLTR101C	\$ 70	BAYCURB050A	\$ 219
2.5	4WCC4030A1000A	\$ 2,956	14.00	7501832	38	49	42	H4558-4	BAYHTRV105F	3.76 / 5.0	\$ 181	BAYSPEK060F	\$ 61	\$ 3,198	BAYOSAH001A	\$ 156	BAYFLTR101C	\$ 70	BAYCURB050A	\$ 219
	4WCY5030A1000A	\$ 3,229	15.00	8955001	38	49	42	H4558-4	BAYHTRV105F	3.76 / 5.0	\$ 181	BAYSPEK060F	\$ 61	\$ 3,471	BAYOSAH001A	\$ 156	BAYFLTR101C	\$ 70	BAYCURB050A	\$ 219
3.0	4WCC4036A1000A	\$ 3,073	14.00	7501835	38	49	42	H4558-4	BAYHTRV105F	3.76 / 5.0	\$ 181	BAYSPEK060F	\$ 61	\$ 3,314	BAYOSAH001A	\$ 156	BAYFLTR101C	\$ 70	BAYCURB050A	\$ 219
	4WCY5036A1000A	\$ 3,428	15.00	8955002	38	49	42	H4558-4	BAYHTRV105F	3.76 / 5.0	\$ 181	BAYSPEK060F	\$ 61	\$ 3,670	BAYOSAH001A	\$ 156	BAYFLTR101C	\$ 70	BAYCURB050A	\$ 219
	4WCZ6036B1000A	\$ 3,818	16.00	7180034	38	49	42	H4558-4	BAYHTRV105F	3.76 / 5.0	\$ 181	BAYSPEK060F	\$ 61	\$ 4,060	BAYOSAH001A	\$ 156	BAYFLTR101C	\$ 70	BAYCURB050A	\$ 219
3.5	4WCC4042A1000A	\$ 3,250	14.00	7501836	40	59	45	(2) H3672-4	BAYHTRV108F	6.0 / 8.0	\$ 207	BAYSPEK062F	\$ 68	\$ 3,525	BAYOSAH002A	\$ 161	BAYFLTR201C	\$ 73	BAYCURB051A	\$ 232
	4WCY5042A1000A	\$ 3,656	15.00	8954998	38	59	45	(2) H3672-4	BAYHTRV108F	6.0 / 8.0	\$ 207	BAYSPEK062F	\$ 68	\$ 3,931	BAYOSAH002A	\$ 161	BAYFLTR201C	\$ 73	BAYCURB051A	\$ 232
4.0	4WCC4048A1000A	\$ 3,425	14.00	7501837	40	59	45	(2) H3672-4	BAYHTRV110F	7.5 / 10.0	\$ 221	BAYSPEK062F	\$ 68	\$ 3,714	BAYOSAH002A	\$ 161	BAYFLTR201C	\$ 73	BAYCURB051A	\$ 232
	4WCY5048A1000A	\$ 3,883	15.00	8954999	42	59	45	(2) H3672-4	BAYHTRV110F	7.5 / 10.0	\$ 221	BAYSPEK062F	\$ 68	\$ 4,172	BAYOSAH002A	\$ 161	BAYFLTR201C	\$ 73	BAYCURB051A	\$ 232
	4WCZ6048B1000A	\$ 4,269	16.00	7180039	42	59	45	(2) H3672-4	BAYHTRV110F	7.5 / 10.0	\$ 221	BAYSPEK062F	\$ 68	\$ 4,558	BAYOSAH002A	\$ 161	BAYFLTR201C	\$ 73	BAYCURB051A	\$ 232
5.0	4WCC4060A1000A	\$ 3,778	14.00	7501833	42	59	45	(2) H3672-4	BAYHTRV110F	7.5 / 10.0	\$ 221	BAYSPEK062F	\$ 68	\$ 4,067	BAYOSAH002A	\$ 161	BAYFLTR201C	\$ 73	BAYCURB051A	\$ 232
	4WCY5060A1000A	\$ 4,337	15.00	8955000	42	59	45	(2) H3672-4	BAYHTRV110F	7.5 / 10.0	\$ 221	BAYSPEK062F	\$ 68	\$ 4,626	BAYOSAH002A	\$ 161	BAYFLTR201C	\$ 73	BAYCURB051A	\$ 232

## 208-230v - 3-Phase

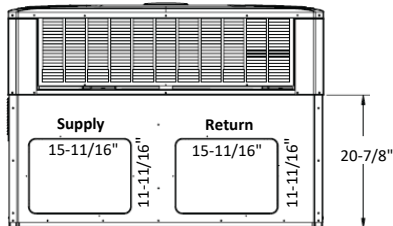
3.0	4WCY4036B3000A	\$ 3,132	14.00	5731452	38	49	42	H4558-4	BAYHTRV305F	3.76 / 5.0	\$ 206	BAYSPEK061E	\$ 63	\$ 3,401	BAYOSAH001A	\$ 156	BAYFLTR101C	\$ 70	BAYCURB050A	\$ 219
	4WCZ6036B3000A	\$ 4,123	16.00	7180036	38	49	42	H4558-4	BAYHTRV305F	3.76 / 5.0	\$ 206	BAYSPEK061E	\$ 63	\$ 4,392	BAYOSAH001A	\$ 156	BAYFLTR101C	\$ 70	BAYCURB050A	\$ 219
4.0	4WCY4048A3000C	\$ 3,484	14.00	1062688	38	59	45	(2) H3672-4	BAYHTRV310F	7.5 / 10.0	\$ 246	BAYSPEK061E	\$ 63	\$ 3,794	BAYOSAH002A	\$ 161	BAYFLTR201C	\$ 73	BAYCURB051A	\$ 232
	4WCZ6048B3000A	\$ 4,538	16.00	7180041	42	59	45	(2) H3672-4	BAYHTRV310F	7.5 / 10.0	\$ 246	BAYSPEK061E	\$ 63	\$ 4,848	BAYOSAH002A	\$ 161	BAYFLTR201C	\$ 73	BAYCURB051A	\$ 232
5.0	4WCY4060A3000C	\$ 3,837	14.00	1176962	42	59	45	(2) H3672-4	BAYHTRV310F	7.5 / 10.0	\$ 246	BAYSPEK065E	\$ 91	\$ 4,174	BAYOSAH002A	\$ 161	BAYFLTR201C	\$ 73	BAYCURB051A	\$ 232
	4WCZ6060B3000A	\$ 4,954	15.00	7180031	42	59	45	(2) H3672-4	BAYHTRV310F	7.5 / 10.0	\$ 246	BAYSPEK065E	\$ 91	\$ 5,291	BAYOSAH002A	\$ 161	BAYFLTR201C	\$ 73	BAYCURB051A	\$ 232

## 460v - 3-Phase

3.0	4WCZ6036B4000A	\$ 4,377	16.00	7180037	38	49	42	H4558-4	BAYHTRV405F	3.76 / 5.0	\$ 211	BAYSPEK061E	\$ 63	\$ 4,651	BAYOSAH001A	\$ 156	BAYFLTR101C	\$ 70	BAYCURB050A	\$ 219
4.0	4WCZ6048B4000A	\$ 4,798	16.00	7180042	42	59	45	(2) H3672-4	BAYHTRV410F	10.0	\$ 252	BAYSPEK061E	\$ 63	\$ 5,113	BAYOSAH002A	\$ 161	BAYFLTR201C	\$ 73	BAYCURB051A	\$ 232
5.0	4WCZ6060B4000A	\$ 5,213	15.00	7180032	42	59	45	(2) H3672-4	BAYHTRV410F	10.0	\$ 252	BAYSPEK061E	\$ 63	\$ 5,529	BAYOSAH002A	\$ 161	BAYFLTR201C	\$ 73	BAYCURB051A	\$ 232

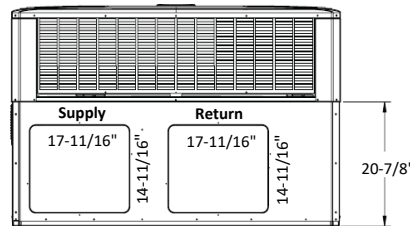
### 2.0 - 3.0 Ton Square-to-Rounds

Item # (2 Required)	Collar Size	Price x 2	Fits
#001-352	12"	\$ 66	2.0 - 3.0
#001-353	14"	\$ 66	2.0 - 3.0
#001-354	16"	\$ 66	2.0 - 3.0



### 3.5 - 5.0 Ton Square-to-Rounds

Item # (2 Required)	Collar Size	Price x 2	Fits
#001-357	14"	\$ 66	3.5 - 5.0
#001-358	16"	\$ 66	3.5 - 5.0
#001-359	18"	\$ 66	3.5 - 5.0



### Curb Adapters for Trane 4TC/4WC Impack Package Units

Existing Curb	Existing Size	New 4TC/4WC	Use Adapter	Price
BAYCURB030,38A	34" x 53-1/8"	024-036	BAYADAP050A	\$ 806
BAYCURB030,38A	34" x 53-1/8"	042-060	BAYADAP052A	\$ 778
BAYCURB033A	34" x 60-5/8"	024-036	BAYADAP051A	\$ 781
BAYCURB033A	34" x 60-5/8"	042-060	BAYADAP053A	\$ 1,080
BAYCURB034A	42" x 62-1/16"	042-060	BAYADAP054A	\$ 1,099

### Filters for Optional Filter Racks

Tons	Brand	Filter Rack	Required Filters (not included)
2.0 - 3.0	Trane	BAYFLTR101C	(1) 18x25 (1" or 2")
3.5 - 5.0	Trane	BAYFLTR201C	(1) 18x20 and (1) 18x18 (1" or 2")